



E-D836-AFS^{PRO} 6

8MP Full Color Dual Light Dome Network Camera



Accessories

PFA136



PFB203W



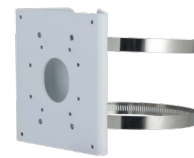
PFA109



PFB220C



PFA156



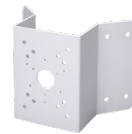
PFA150



PFB305W



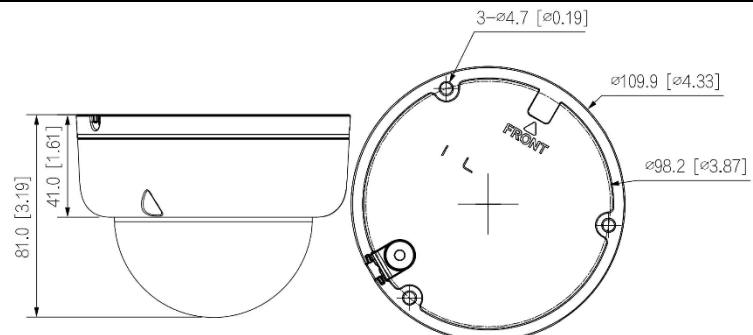
PFA151



Installation Method

| | | |
|---------------|------------------------|----------------------|
| Ceiling Mount | Junction Mount | Ceiling Mount |
| | | |
| Wall Mount | Pole Mount(Horizontal) | Pole Mount(Vertical) |
| | | |
| Corner Mount | | |
| | | |

Dimensions mm (inch)



Technical Specification

Camera

| | |
|----------------------------|---|
| Image Sensor | 1/2.7" CMOS |
| Max. Resolution | 3840 (H) × 2160 (V) |
| ROM | 128 MB |
| RAM | 256 MB |
| Scanning System | Progressive |
| Electronic Shutter Speed | Auto/Manual 1/3 s–1/100,000 s |
| Min. Illumination | 0.008 lux@F1.6 (Color, 30 IRE) 0.0008 lux@F1.6 (B/W, 30 IRE) 0 lux (Illuminator on) |
| S/N Ratio | >56 dB |
| Illumination Distance | Up to 30 m (IR) Up to 30 m (Warm light) |
| Illuminator On/Off Control | Auto; Manual |
| Illuminator Number | 3 (IR LED); 4 (Warm light) |
| Angle Adjustment | Pan: 0° – 355° Tilt: 0° – 65° Rotation: 0° – 355° |

Lens

| Lens Type | Fixed-focal | | | | | | | | |
|----------------------|--|-----------|----------|-----------|----------|--------|--------|--------|-------|
| Lens Mount | M12 | | | | | | | | |
| Focal Length | 3,6 mm | | | | | | | | |
| Max. Aperture | F1.6 | | | | | | | | |
| Field of View | H: 86°; V: 49°; D: 100° | | | | | | | | |
| Iris Control | Fixed | | | | | | | | |
| Close Focus Distance | 1,9 m | | | | | | | | |
| DORI Distance | <table border="1"> <tr> <th>Detect</th> <th>Observe</th> <th>Recognize</th> <th>Identify</th> </tr> <tr> <td>98,7 m</td> <td>39.5 m</td> <td>19,7 m</td> <td>9.9 m</td> </tr> </table> | Detect | Observe | Recognize | Identify | 98,7 m | 39.5 m | 19,7 m | 9.9 m |
| Detect | Observe | Recognize | Identify | | | | | | |
| 98,7 m | 39.5 m | 19,7 m | 9.9 m | | | | | | |

Intelligence

| | |
|-----------------|---|
| Human Detection | Support the classification and accurate detection of human |
| Smart Search | Work together with Smart NVR to perform refine intelligent search, event extraction and merging to event videos |

Video

| | |
|----------------------|---|
| Video Compression | H.265; H.264; H.264H; H.264B; MJPEG (Only supported by the sub stream) |
| Smart Codec | Smart H.265+; Smart H.264+ |
| Video Frame Rate | Main stream: 3840 × 2160@ (1–20 fps)/2688 × 1520@ (1–25/30 fps) Sub stream: 704 × 576@ (1–25 fps)/704 × 480@ (1–30 fps) *The values above are the max. frame rates of each stream; for multiple streams, the values will be subjected to the total encoding capacity. |
| Streaming Capability | 2 streams |
| Resolution | 8M (3840 × 2160); 6M (3072 × 2048); 5M (3072 × 1728); 4M (2880 × 1620/2688 × 1520); 3M (2048 × 1536/2304 × 1296); 1080p (1920 × 1080); 1.3M (1280 × 960); 720p (1280 × 720); D1 (704 × 576/704 × 480); VGA (640 × 480); CIF (352 × 288/352 × 240) |
| Bit Rate Control | VBR; CBR |
| Video Bit Rate | H.264: 32 kbps–8192 kbps H.265: 12 kbps–8192 kbps |

| | |
|--------------------------|---|
| HLC | Yes |
| BLC | Yes |
| WDR | DWDR |
| Day/Night | Auto (ICR)/Color/B/W |
| White Balance | Auto; natural; street lamp; outdoor; manual; regional custom |
| Gain Control | Auto/Manual |
| Noise Reduction | 3D NR |
| Motion Detection | OFF/ON (4 areas, rectangular) |
| Region of Interest (RoI) | Yes (4 areas) |
| Smart Illumination | Yes |
| Smart Dual Light | Yes |
| Image Rotation | 0°/90°/180°/270° (Support 90°/270° with 2688 × 1520 resolution and lower) |
| Mirror | Yes |
| Privacy Masking | 4 areas |

Audio

| | |
|-------------------|-----------------------------|
| Built-in MIC | Yes, built-in Mic |
| Audio Compression | G.711a; G.711Mu; PCM; G.726 |

Alarm

| | |
|-------------|--|
| Alarm Event | Network disconnection; IP conflict; illegal access; motion detection; video tampering; audio detection; SMD (human); security exception; |
|-------------|--|

Network

| | |
|---------------------|--|
| Network Port | RJ-45 (10/100 Base-T) |
| SDK and API | Yes |
| Network Protocol | IPv4; IPv6; HTTP; TCP; UDP; ARP; RTP; RTSP; RTCP; RTMP; SMTP; FTP; DHCP; DNS; DDNS; NTP; Multicast; ICMP; IGMP; P2P; Auto Registration |
| Interoperability | ONVIF (Profile S & Profile T); CGI |
| User/Host | 20 (Total bandwidth: 48 M) |
| Storage | FTP |
| Browser | IE; Chrome; Firefox |
| Management Software | Smart PSS Lite; DSS; DMSS; DoLynk Care |
| Mobile Client | iOS; Android |
| Security | Digest; WSSE; Account lockout; Security logs; Generation and importing of X.509 certification; HTTPS; Trusted boot; Trusted execution; Trusted upgrade |

Certification

| | |
|----------------|--|
| Certifications | CE-LVD: EN62368-1; CE-EMC: Electromagnetic Compatibility Directive 2014/30/EU |
|----------------|--|

Technical Specification**Power**

| | |
|-------------------|---|
| Power Supply | 12 VDC ($\pm 30\%$); PoE (802.3af) |
| Power Consumption | Basic: 2.5 W (12 VDC); 3.3 W (PoE); Max.: 7 W (12 VDC); 8.3 W (PoE) (H.265 + intelligence on+ DWDR + illuminator intensity) |

Environment

| | |
|-----------------------|----------------------------------|
| Operating Temperature | -40 °C to +60 °C |
| Operating Humidity | $\leq 95\%$ (RH), non-condensing |
| Storage Temperature | -40 °C to +60 °C |
| Storage Humidity | $\leq 95\%$ (RH), non-condensing |
| Protection | IP67; IK08 |

Structure

| | |
|--------------------|----------------------------------|
| Casing Material | Metal + Plastic |
| Product Dimensions | 81.0 mm \times Φ 109.9 mm |
| Net Weight | 0.33 kg |
| Gross Weight | 0.48 kg |